



Canopy Fitment Instruction



Installation Time: 45 Min



Congratulations & welcome to the Bushtech family.

We are so excited to have you on board and we want to give you peace of mind that, we, here at **Bushtech**, had you in mind throughout our entire assemble process to ensure you received nothing less than the **Bushtech** standard.

This Fitment manual will guide you Step by Step through our DIY processes to get you on your way with your new Canopy

Let's get started.

Bolt Kits:

Bracket Bolt Kit:



- 4 x M8 x 25mm Bolts (HT)
- 4 x M8 Flat washers
- 4 x M8 spring washers

Canopy Bolt Kit:



- 4 x M8 x 100mm Shoulder Bolts
- 4 x M8 Flat Washers
- 4 x M8 25mm Rubber Bushings
- 4 x M8 Nylon lock nut

Canopy Mounting Brackets:

Front Mounting
Brackets



Rear Mounting
Brackets

- 2 x Front Brackets
- 2 x Rear Brackets

Step 1:

Clean the Rear window and top of load box with some soapy water and wait for it to dry.



Step 2:

Unscrew all the tie down brackets on the left and right side of the load box.



Tie Down Bracket

Step 3:

With the bolts and bracket supplied, fasten the front-canopy bracket, and tie down bracket to the load box using the same holes that the tie down brackets use.

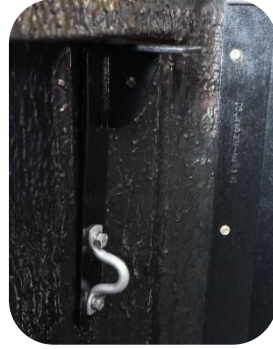
IF the tie down bracket is not mounted on top of the canopy bracket as displayed below, a 2mm washer must be used with the bolt and spring washer to fasten the bracket in place.



Note: Do not fully tighten the bolts on the brackets at this point, as there needs to be some wiggle room to allow the pre-drilled holes in the canopy to align with the mounting hole on the bracket.

Step 4:

Repeat step 3 for the back-canopy brackets.



Step 5:

Check the top of the load box by the firewall to see if it is even with the side walls. If there is a ridge where the side panels of the load box are joined to the firewall panel. Add a bead of sealer along the top of the load box to ensure a dust and watertight seal is made between the load box and canopy on the fire wall side.



For severe cases, a D-Rubber is supplied and must be installed turn to page 07 for the installation process. (Ford rangers must have the D-Rubber fitted)

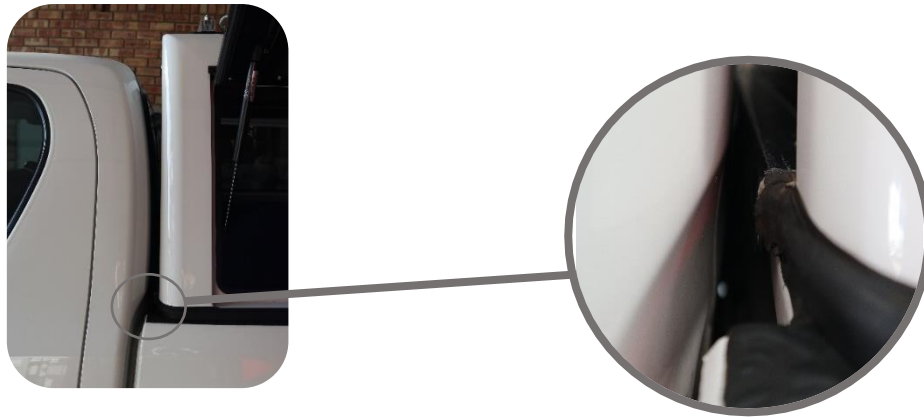
Step 6:

With the help of a friend, Lift the canopy on to the load box and open all the doors.



Step 7:

The canopy must be a minimum of 10mm from the rear of the cab.



Step 8:

Centre the canopy left to right on the load box with the use of a ruler. You will be checking that there are equal spaces in the front and back between the load box and canopy.

Front



Back

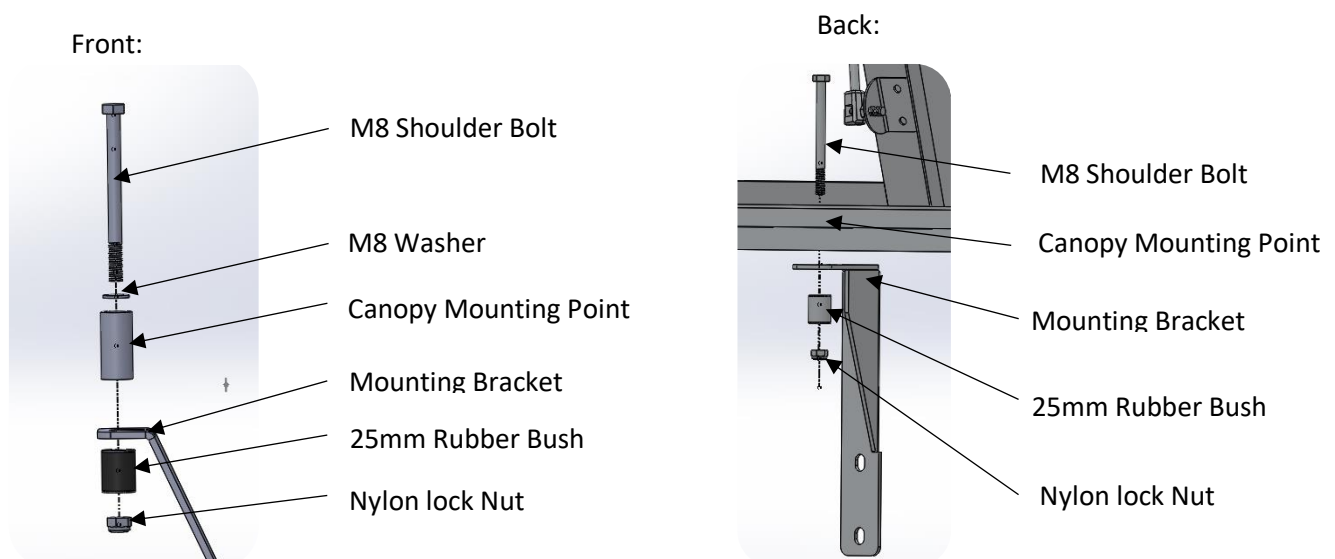


Step 9:

With the bolts supplied place the bolt through the pre-drilled holes in the canopy. (The pre-drilled holes are placed in each corner of the canopy.)

The bolt for the canopy must be installed with the correct sequence of washers and rubbers to ensure ample pressure is applied between the load box and canopy.

This is imperative to protect the load box from tearing.



Step 10:

Now that all four brackets have their bolts positioned, Tighten the Canopy bracket to the load box.



Step 11:

Tighten the Canopy to the bracket. You must follow a cross tightening sequence to ensure you do not pull the canopy skew or out of position. Tighten each nut approximately halfway up the threaded section of each bolt. (If a dust and watertight seal has not been achieved between the load box and base rubber tighten the nut by 2 or 3 turns where the seal is not made.)



Step 12:

Once your canopy has been secured into place. You are ready for your next big trip off the beaten track.



Fitting the D-Rubber on the top of the Load box.

Step 5.1:

Apply a layer of contact adhesive along the top edge of the front panel (indicated by a red line on the image below) and flat surface on the D rubber.



Step 5.2:

Wait approximately 10 minutes before applying the D-Rubber to the top of the load box.



Step 5.3:

Trim both sides of the D-Rubber where the front panel of the load box meets the side panel of the load box as shown in the image below.



Step 5.4:

Apply a bead of sealer at each end of the D-rubber to close the hole of the D-Rubber and ensure a dust and watertight seal has been made.



Step 5.5:

Now apply a bead of sealer along the front & back edge of the D-Rubber to further ensure a dust & Watertight seal is achieved.



Step 5.6:

Now return to step Six (6) to complete the installation of the canopy.



Disclaimers:

- It is imperative that all Bushtech canopy are correctly fitted and secured to your vehicle.
- Negligent installation of the Bushtech canopy could lead to a critical vehicle accident, which may cause severe injurie or even lead to the demise of others.
- Once fitted the Bushtech canopy should be checked on a regular basis and if need be adjusted and secured.
- Before you begin installing the Bushtech canopy, it is vital that you read and understand the fitment instructions and be ready for the installation.
- Should you not fully understand the installation instructions of the Bushtech canopy, and you are concerned that you do not have the technical or mechanical know-how, it would be in your best interest to have the Bushtech canopy fitted by Bushtech or an approved Bushtech fitment Centre.